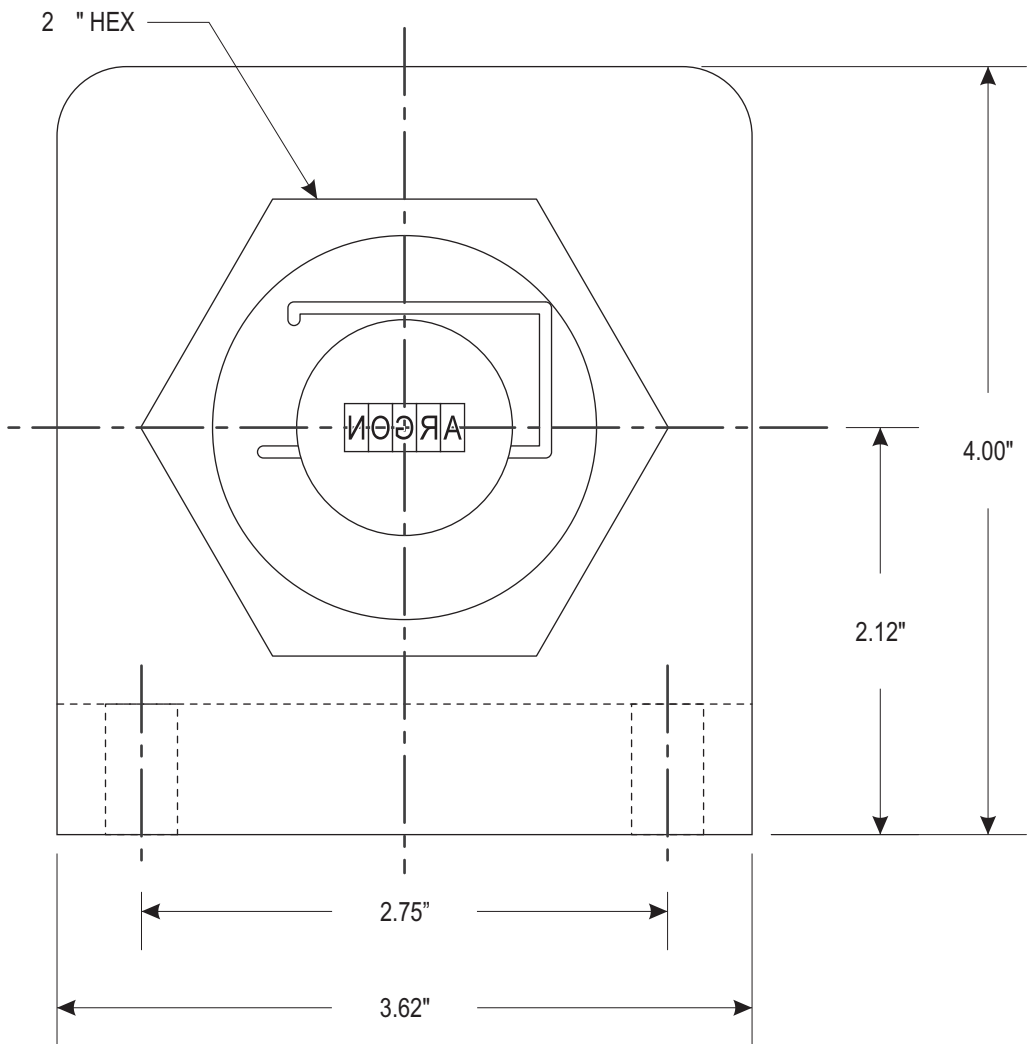
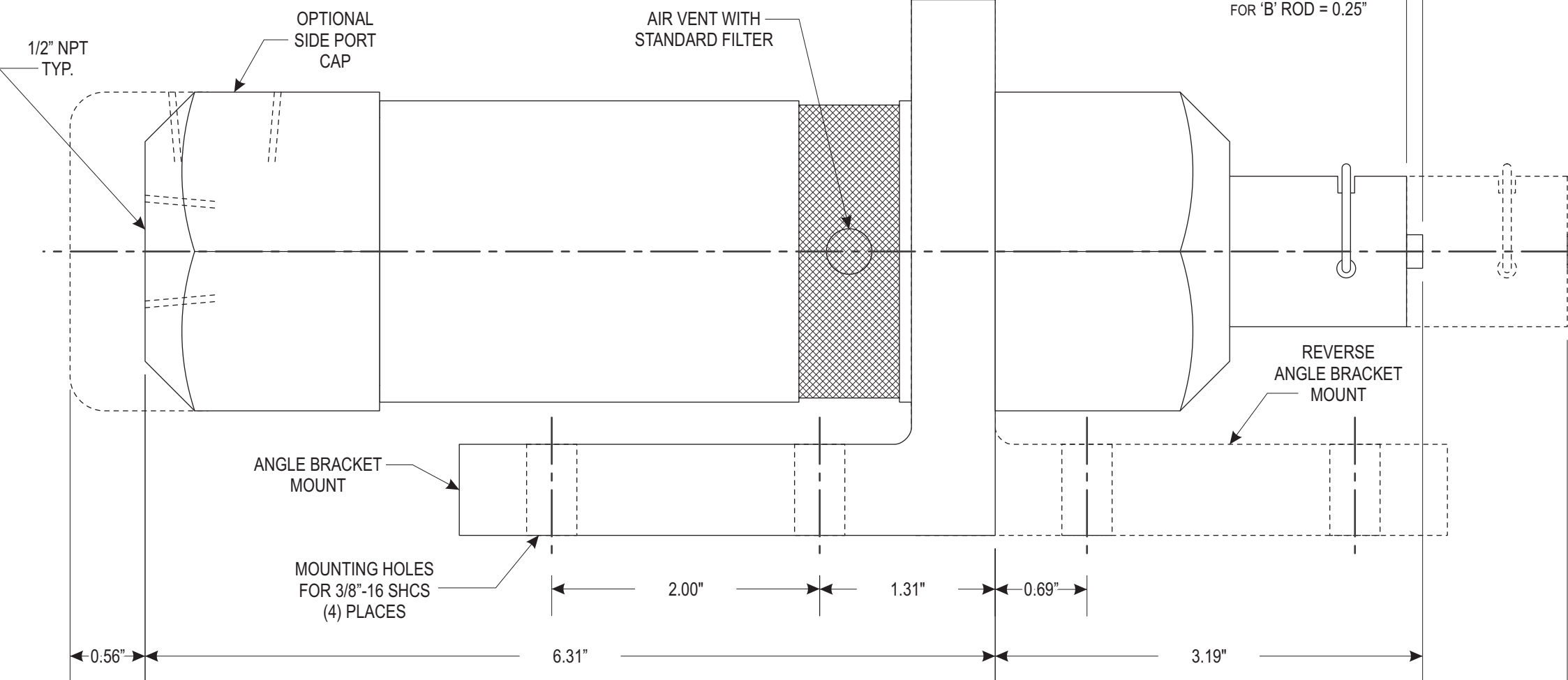


# MOUNTING DIMENSIONS FOR MODEL 9800 AIR IMPACT MARKER

## ROD STYLE 'A'

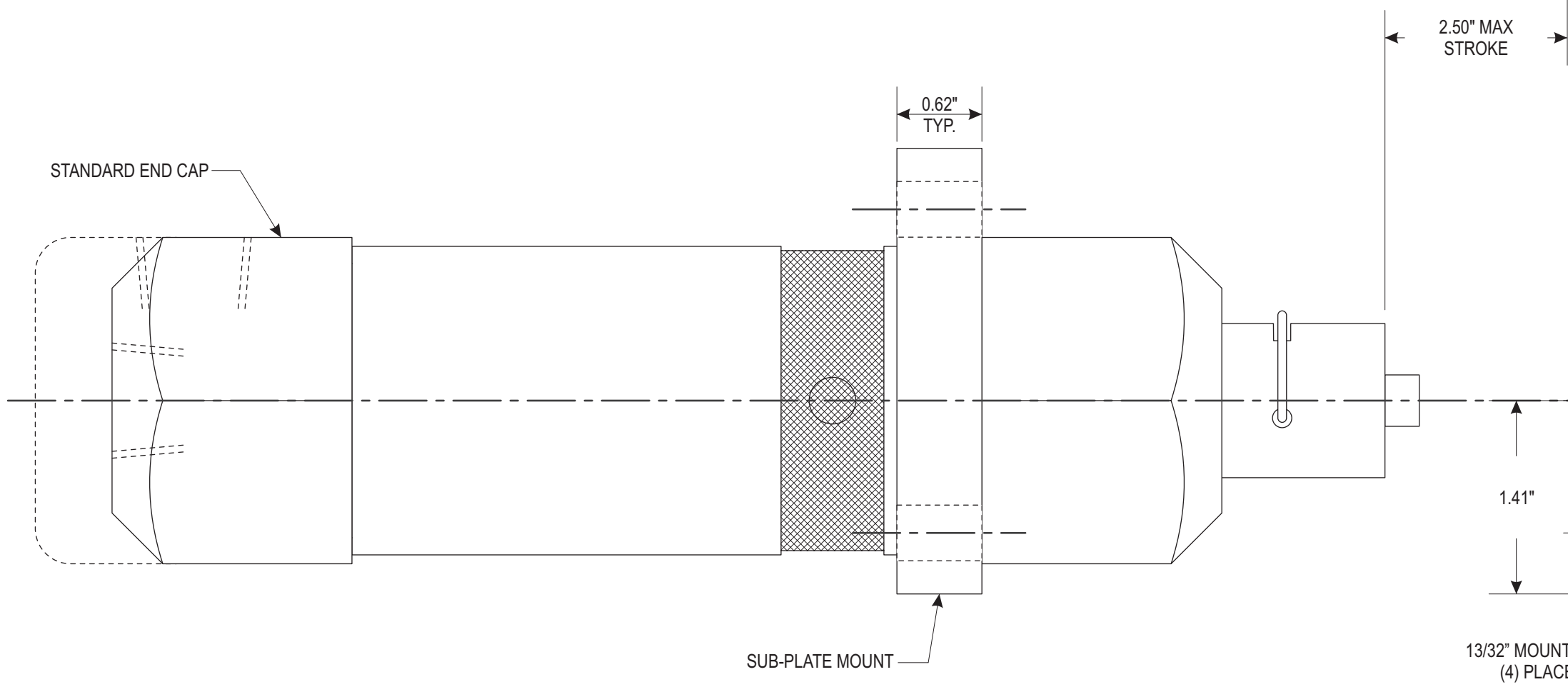
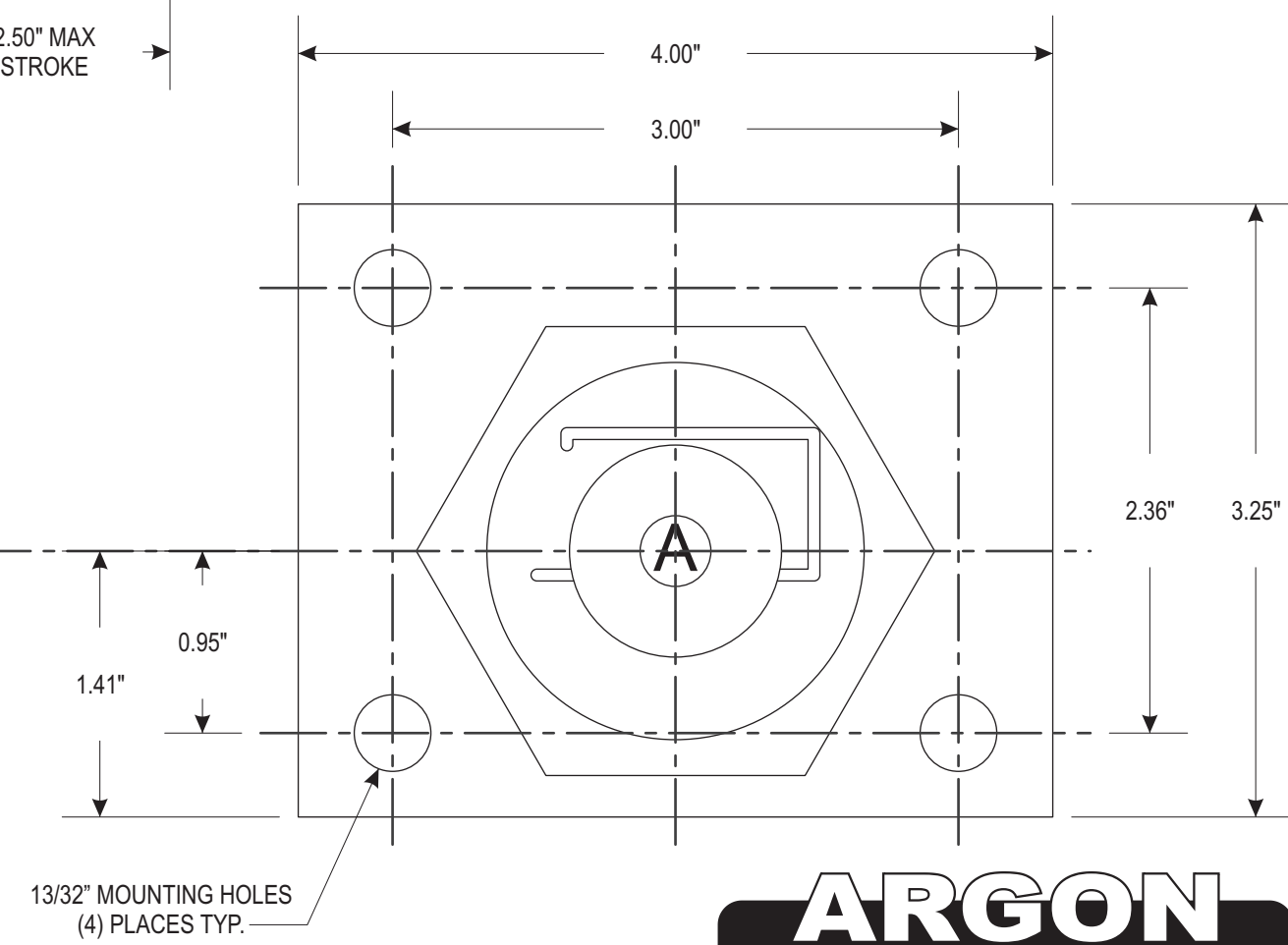


"S" DIM FOR 'A' ROD = 0.12"  
FOR 'B' ROD = 0.25"



ADD FOR SIDE PORT END CAP

## ROD STYLE 'B'



**ARGON**  
TOOL AND MANUFACTURING CO.  
*Specialists In Marking Devices Since 1954*