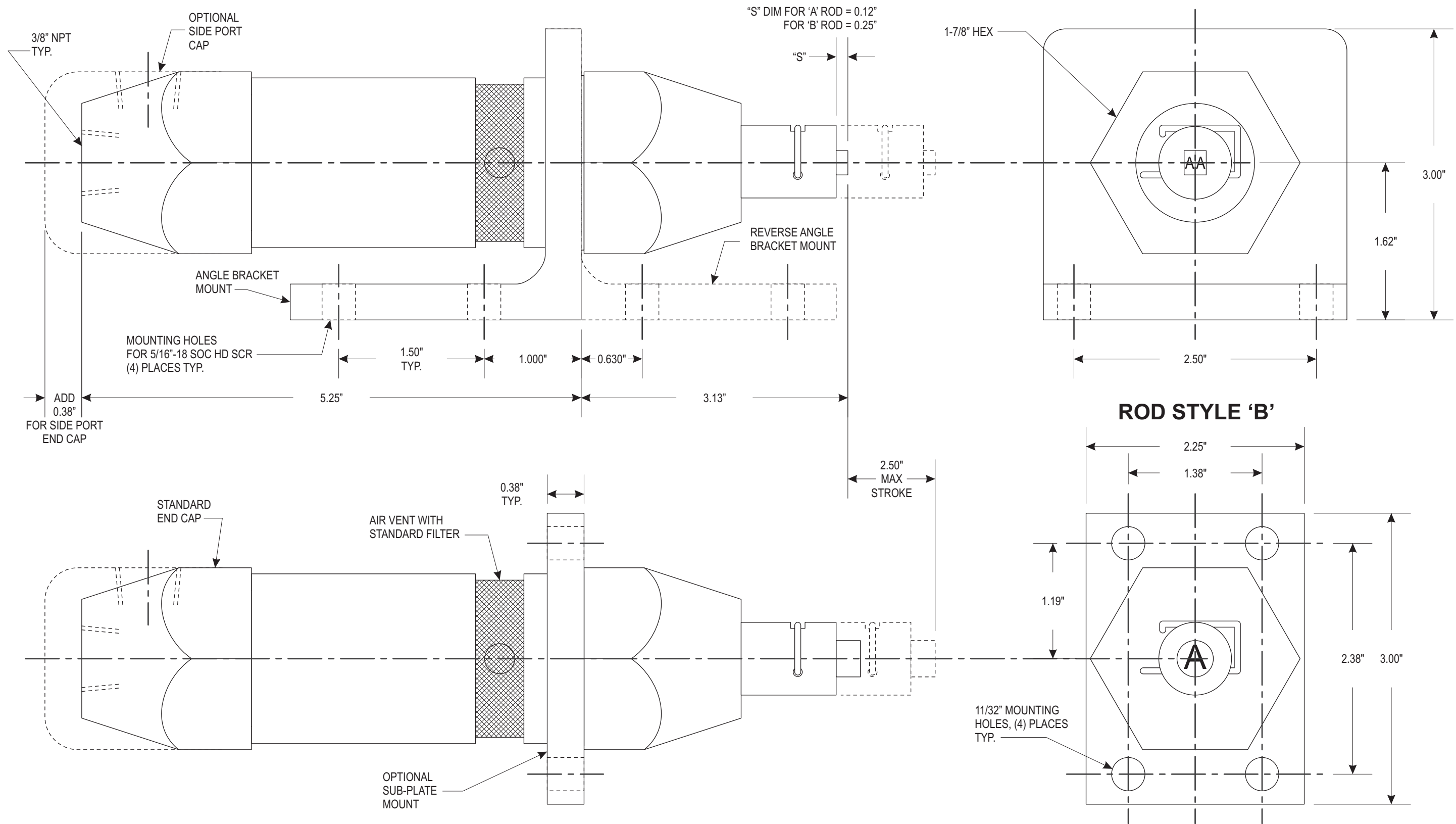


MOUNTING DIMENSIONS FOR MODEL 8800 AIR IMPACT MARKER



ARGON
TOOL AND MANUFACTURING CO.
Specialists In Marking Devices
Since 1954

WWW.ARGONTOOL.COM