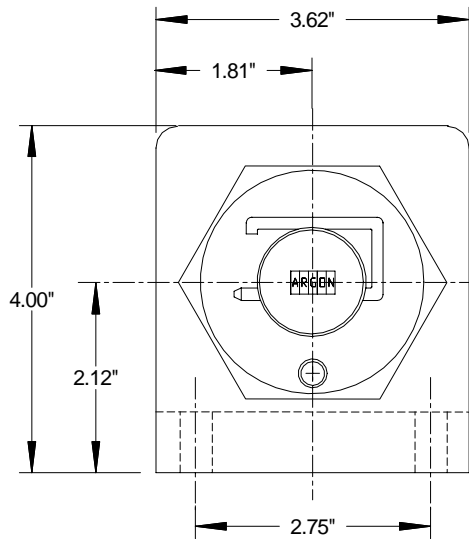
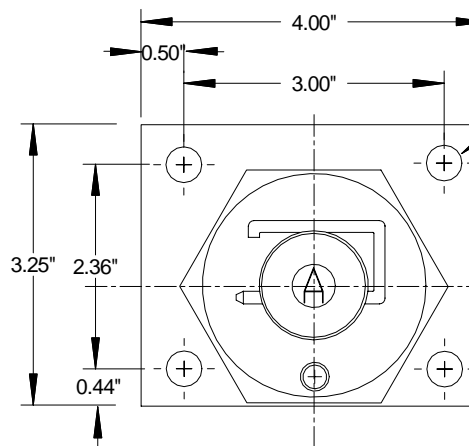


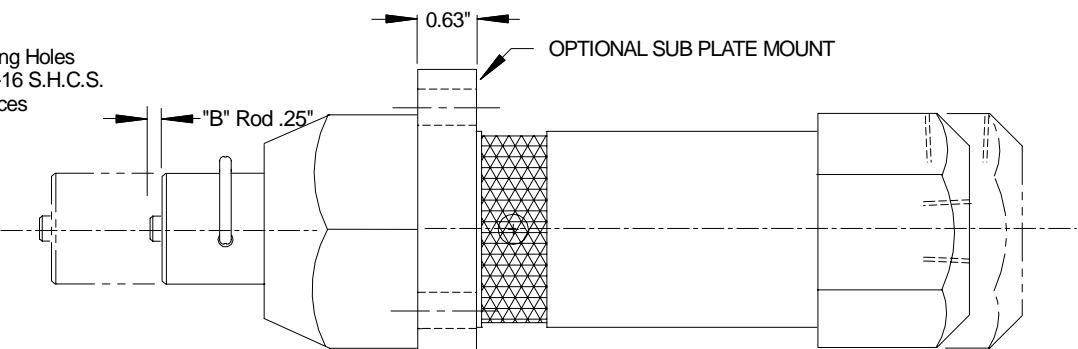
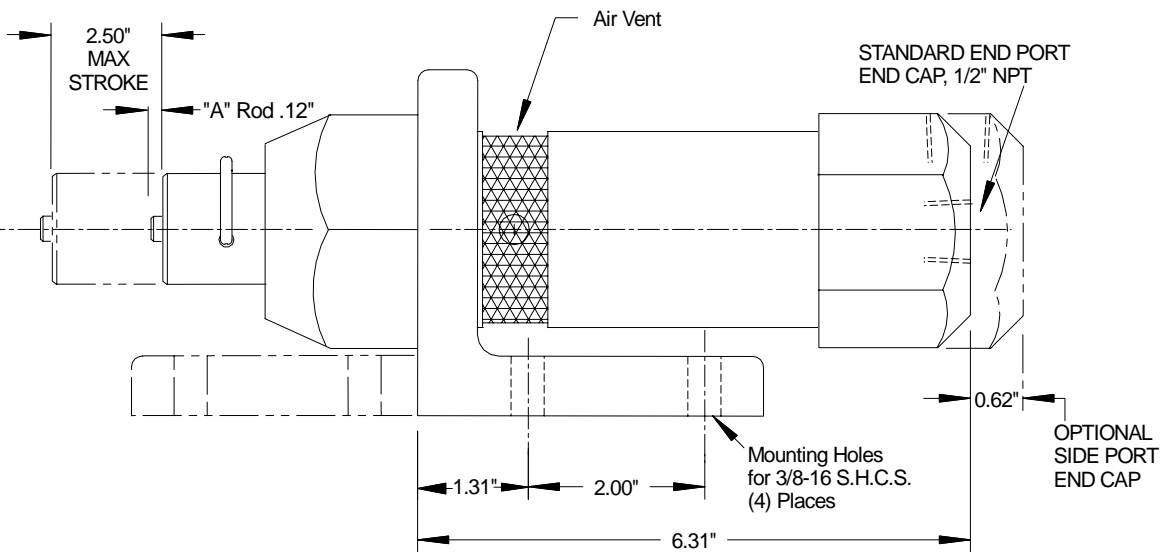
**ROD
STYLE
"A"**



**ROD
STYLE
"B"**



Mounting Holes
for 3/8-16 S.H.C.S.
(4) Places



ARGON TOOL & MFG. CO.

MOUNTING DIMENSIONS FOR
MODEL 9800 AIR IMPACT MARKER