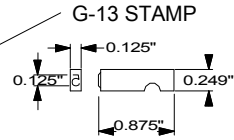
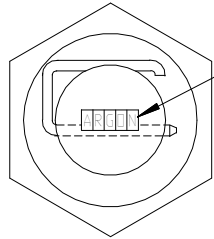
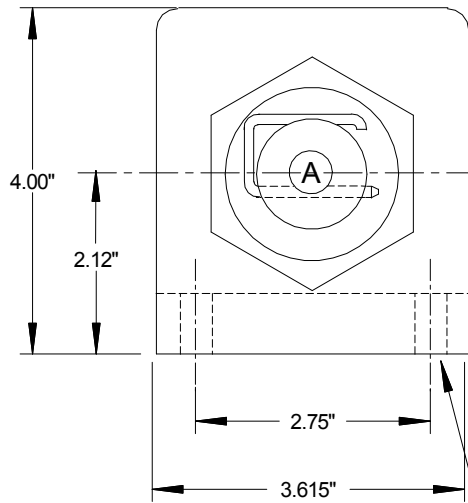


ROD
STYLE
"A"



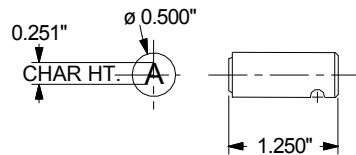
G-13 STAMP

ROD
STYLE
"B"

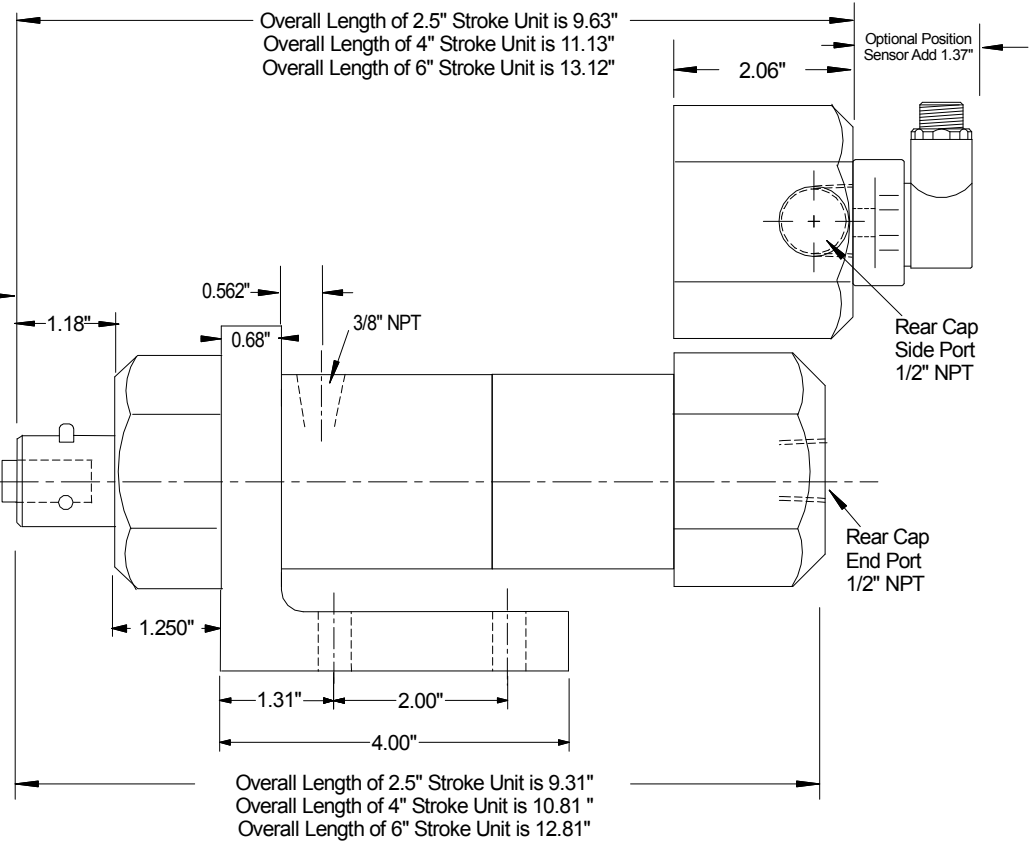


Mounting Holes
for 3/8-16 S.H.C.S.
(4) Places

9X-25 STAMP



Overall Length of 2.5" Stroke Unit is 9.63"
Overall Length of 4" Stroke Unit is 11.13"
Overall Length of 6" Stroke Unit is 13.12"



ARGON TOOL & MFG. CO.
29800 Double Acting Air Impact Marker